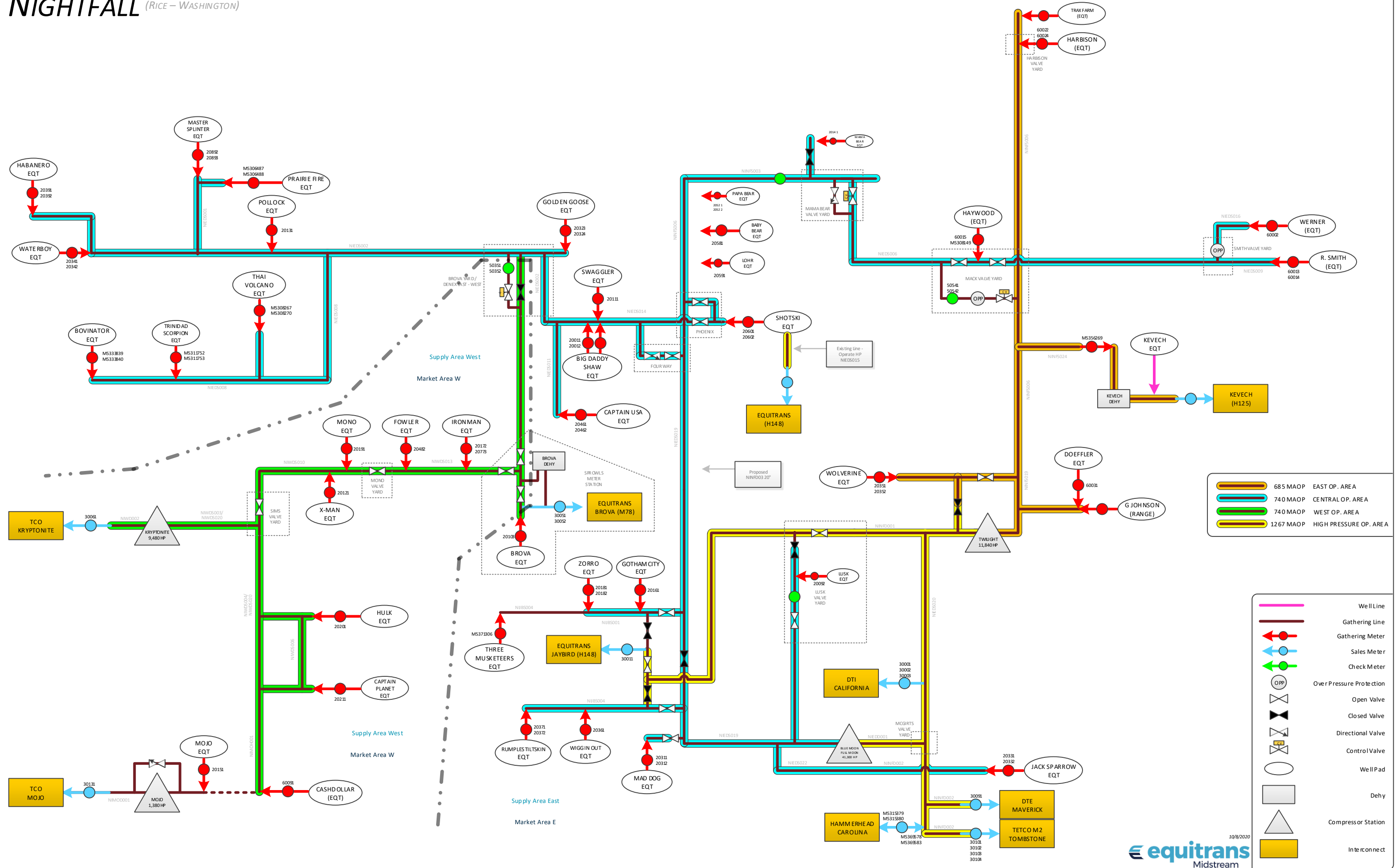


NIGHTFALL (RICE - WASHINGTON)



	685 MAOP EAST OP. AREA
	740 MAOP CENTRAL OP. AREA
	740 MAOP WEST OP. AREA
	1267 MAOP HIGH PRESSURE OP. AREA

	Well Line
	Gathering Line
	Gathering Meter
	Sales Meter
	Check Meter
	Over Pressure Protection
	Open Valve
	Closed Valve
	Directional Valve
	Control Valve
	Well Pad
	Dehy
	Compressor Station
	Interconnect